

(19) World Intellectual Property Organization
International Bureau



(43) International Publication Date
3 June 2010 (03.06.2010)

PCT

(10) International Publication Number
WO 2010/060848 A1

- (51) International Patent Classification:
B65D 33/34 (2006.01) A45C 13/10 (2006.01)
B65D 33/16 (2006.01)
- (21) International Application Number:
PCT/EP2009/065426
- (22) International Filing Date:
18 November 2009 (18.11.2009)
- (25) Filing Language: English
- (26) Publication Language: English
- (30) Priority Data:
MI2008A002119 28 November 2008 (28.11.2008) IT
- (72) Inventor; and
- (71) Applicant : CAMPEDELLI, Andrea [IT/IT]; Via Baz-
zani, 1, I-46043 Castiglione delle Stiviere (IT).
- (74) Agent: MODIANO, Micaela; Modiano & Partners, Via
Meravigli, 16, I-20123 Milano (IT).
- (81) Designated States (unless otherwise indicated, for every
kind of national protection available): AE, AG, AL, AM,

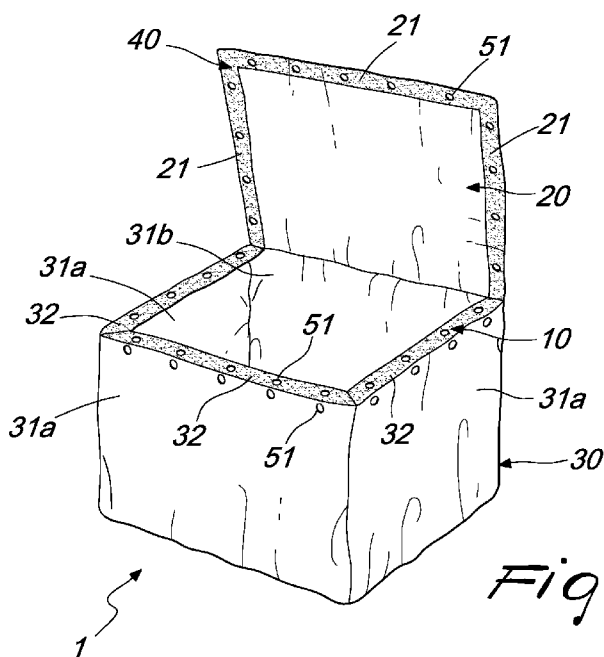
AO, AT, AU, AZ, BA, BB, BG, BH, BR, BW, BY, BZ,
CA, CH, CL, CN, CO, CR, CU, CZ, DE, DK, DM, DO,
DZ, EC, EE, EG, ES, FI, GB, GD, GE, GH, GM, GT,
HN, HR, HU, ID, IL, IN, IS, JP, KE, KG, KM, KN, KP,
KR, KZ, LA, LC, LK, LR, LS, LT, LU, LY, MA, MD,
ME, MG, MK, MN, MW, MX, MY, MZ, NA, NG, NI,
NO, NZ, OM, PE, PG, PH, PL, PT, RO, RS, RU, SC, SD,
SE, SG, SK, SL, SM, ST, SV, SY, TJ, TM, TN, TR, TT,
TZ, UA, UG, US, UZ, VC, VN, ZA, ZM, ZW.

- (84) Designated States (unless otherwise indicated, for every
kind of regional protection available): ARIPO (BW, GH,
GM, KE, LS, MW, MZ, NA, SD, SL, SZ, TZ, UG, ZM,
ZW), Eurasian (AM, AZ, BY, KG, KZ, MD, RU, TJ,
TM), European (AT, BE, BG, CH, CY, CZ, DE, DK, EE,
ES, FI, FR, GB, GR, HR, HU, IE, IS, IT, LT, LU, LV,
MC, MK, MT, NL, NO, PL, PT, RO, SE, SI, SK, SM,
TR), OAPI (BF, BJ, CF, CG, CI, CM, GA, GN, GQ, GW,
ML, MR, NE, SN, TD, TG).

Published:

— with international search report (Art. 21(3))

(54) Title: PACKAGING BAG, PARTICULARLY FOR PACKAGING TEXTILE MATERIAL



(57) Abstract: A packaging bag (1), particularly for pack-
aging textile material, which comprises means (40) for
joining flaps (21, 32) of the bag in order to close it, the
joining means (40) being associable with means (50) for
verifying any tampering with the joining means (40).



WO 2010/060848 A1

Fig. 1

PACKAGING BAG, PARTICULARLY FOR PACKAGING TEXTILE MATERIAL

Technical Field

The present invention relates to a packaging bag, particularly for
5 packaging textile material.

Background Art

Bags for the packaging of several materials are currently known
which are made of natural or laminated polypropylene fabric.

The advantages insured by the use of such kind of bags reside in the
10 combination of their light weight and of their strength capable of
withstanding very heavy loads.

Moreover, such bags, when empty, have a very limited space
occupation.

All these characteristics make them to be containers particularly
15 suitable for storing therein textile materials, or materials of another kind, in
order to store or transport them, preserving them so that they are protected
from the surrounding environment.

Currently known closures systems for this type of bag are generally of
the lace type, but sometimes no closure means are provided.

20 This entails that during transport or handling of the bags the materials
contained therein may escape from them.

Moreover, during storage or transport periods, in which the bags
might be left unattended, they could be easily opened and their content
tampered with.

25 The user, therefore, feels the need to store and transport materials in a
manner that is safer than that ensured by bags or by the several currently
available containers or pallets, particularly so that the materials stored in the
bags, optionally intended for transport, cannot easily escape from them or be
tampered with.

Disclosure of the Invention

The aim of the present invention is to provide a packaging bag that contrasts the escape of the materials stored therein.

Within this aim, an object of the invention is to provide a packaging
5 bag that contrasts any tampering of its contents.

This aim, as well as these and other objects that will become better apparent hereinafter, are achieved by a packaging bag, characterized in that it comprises means for joining flaps of said bag, in order to close said bag, said joining means being associable with means for verifying any tampering
10 with said joining means.

Brief Description of the Drawings

Further characteristics and advantages of the invention will become better apparent from the description of a preferred not exclusive embodiment of the packaging bag according to the invention, illustrated by
15 way of non-limiting example in the accompanying drawings, wherein:

Figure 1 is a perspective view of a bag according to the invention;

Figure 2 is an enlarged-scale view of a detail of the closure of the bag according to the invention.

Ways of carrying out the Invention

20 With reference to the figures, the packaging bag is generally designated by the reference numeral 1 and preferably is shaped like a parallelepiped.

Advantageously, the bag 1 comprises a lid 20 and a body 30 that is composed of a bottom, three side walls 31a and a rear wall 31b, to which the
25 lid 20 is preferably connected.

Flaps 32 of the lateral faces 31a can be arranged adjacent to flaps 21 of the lid 20 in order to close the bag 1.

A particular feature of the bag 1 according to the invention is that it comprises means 40 for joining the flaps 21 to the flaps 32.

30 Advantageously, said joining means are constituted by Velcro®.

As an alternative, the joining means 40 are constituted by a zip fastener or by the association of strips of Velcro® and a zip fastener.

Another feature of the bag 1 according to the invention is that the joining means 40 can be associated with tampering verification means 50.

5 Such tampering verification means 50 advantageously comprise for example eyelets 51, which can be engaged by loops 52 to which it is possible to apply seals 53, for example lead seals. Alternatively, it is possible to apply the seal to the final closing part of the zip fastener.

Operation is as follows.

10 The bag 1 is filled with the materials to be preserved or transported and is then closed by joining the flaps 21 with the flaps 32 by way of the joining means 40, be they Velcro® or a zip fastener.

The user can then insert the loops 52 in the eyelets 51 and apply seals 53 thereto, so as to allow opening of the bag only after breaking the seals 53; as an alternative, the user can apply only a seal to the eyelets of the closed zip fastener and accordingly can verify that the bag has not been opened during transport or during a storage period.

15 In practice it has been found that the invention achieves the intended aim and objects, providing a packaging bag which, thanks to the means 40 for joining the flaps 21 to the flaps 32, contrasts the escape of the materials stored therein.

Moreover, by way of the tampering verification means 50, the packaging bag 1 according to the invention contrasts tampering with its contents.

25 The invention thus conceived is susceptible of numerous modifications and variations, all of which are within the scope of the appended claims; all the details may further be replaced with other technically equivalent elements.

In practice, the materials used, as well as the contingent shapes and dimensions, may be any according to requirements and to the state of the

30

art.

The disclosures in Italian Patent Application No. MI2008A002119 from which this application claims priority are incorporated herein by reference.

- 5 Where technical features mentioned in any claim are followed by reference signs, those reference signs have been included for the sole purpose of increasing the intelligibility of the claims and accordingly, such reference signs do not have any limiting effect on the interpretation of each element identified by way of example by such reference signs.

CLAIMS

1. A packaging bag (1), characterized in that it comprises means (40) for joining flaps (21, 32) of said bag, in order to close said bag, said joining means (40) being associable with means (50) for verifying any tampering
5 with said joining means (40).

2. The packaging bag according to claim 1, characterized in that said joining means (40) comprise at least one portion of a zip fastener.

3. The packaging bag according to the preceding claims, characterized in that said joining means (40) comprise at least one portion of
10 Velcro®.

4. The packaging bag according to one or more of the preceding claims, characterized in that it comprises a single opening, a lid (20) for closing said opening, and in that respective flaps (32, 21) of said opening and of said lid (20) are associated with said joining means, which are
15 constituted by a zip fastener.

5. The packaging bag according to one or more of the preceding claims, characterized in that it comprises a single opening, a lid (20) for closing said opening, and in that respective flaps (32, 21) of said opening and of said lid (20) are associated with said joining means (40), which are
20 constituted by a portion of Velcro®.

6. The packaging bag according to one or more of the preceding claims, characterized in that said tampering verification means (50) are seals (53) which can be associated with said flaps (32, 21).

7. The packaging bag according to one or more of the preceding
25 claims, characterized in that said seals (53) are lead seals.

INTERNATIONAL SEARCH REPORT

International application No
PCT/EP2009/065426

A. CLASSIFICATION OF SUBJECT MATTER
 INV. B65D33/34 B65D33/16 A45C13/10

According to International Patent Classification (IPC) or to both national classification and IPC

B. FIELDS SEARCHED
 Minimum documentation searched (classification system followed by classification symbols)
 B65D A45C

Documentation searched other than minimum documentation to the extent that such documents are included in the fields searched

Electronic data base consulted during the international search (name of data base and, where practical, search terms used)
 EPO-Internal, WPI Data

C. DOCUMENTS CONSIDERED TO BE RELEVANT

Category*	Citation of document, with indication, where appropriate, of the relevant passages	Relevant to claim No.
X	US 6 161 959 A (ABRAHAM MORRIS [US]) 19 December 2000 (2000-12-19)	1,2,4,6
Y	abstract; figures column 1 column 2, line 35 - column 3, line 57 -----	3,5
X	EP 1 939 107 A (KRAFT FOODS HOLDINGS INC [US]) 2 July 2008 (2008-07-02) abstract; figures -----	1,6
X	GB 313 606 A (NELLY MARCHFELD) 20 February 1930 (1930-02-20) the whole document -----	1,7
Y	US 2008/054031 A1 (HEADLEY GEORGE M [US]) 6 March 2008 (2008-03-06) abstract; figures paragraphs [0005], [0013], [0014] ----- -/--	3,5

Further documents are listed in the continuation of Box C. See patent family annex.

* Special categories of cited documents :

<p>"A" document defining the general state of the art which is not considered to be of particular relevance</p> <p>"E" earlier document but published on or after the international filing date</p> <p>"L" document which may throw doubts on priority claim(s) or which is cited to establish the publication date of another citation or other special reason (as specified)</p> <p>"O" document referring to an oral disclosure, use, exhibition or other means</p> <p>"P" document published prior to the international filing date but later than the priority date claimed</p>	<p>"T" later document published after the international filing date or priority date and not in conflict with the application but cited to understand the principle or theory underlying the invention</p> <p>"X" document of particular relevance; the claimed invention cannot be considered novel or cannot be considered to involve an inventive step when the document is taken alone</p> <p>"Y" document of particular relevance; the claimed invention cannot be considered to involve an inventive step when the document is combined with one or more other such documents, such combination being obvious to a person skilled in the art.</p> <p>"&" document member of the same patent family</p>
--	--

Date of the actual completion of the international search 10 December 2009	Date of mailing of the international search report 17/12/2009
--	---

Name and mailing address of the ISA/ European Patent Office, P.B. 5818 Patentlaan 2 NL - 2280 HV Rijswijk Tel. (+31-70) 340-2040, Fax: (+31-70) 340-3016	Authorized officer Dederichs, August
--	--

INTERNATIONAL SEARCH REPORT

International application No
PCT/EP2009/065426

C(Continuation). DOCUMENTS CONSIDERED TO BE RELEVANT		
Category*	Citation of document, with indication, where appropriate, of the relevant passages	Relevant to claim No.
A	GB 425 269 A (DAVENPORTS C B LTD; BARON JOHN DAVENPORT) 11 March 1935 (1935-03-11) the whole document -----	6,7
A	US 5 681 113 A (RIFKIN ARNOLD S [US] ET AL) 28 October 1997 (1997-10-28) column 3, lines 46-63; figures -----	1-7

INTERNATIONAL SEARCH REPORT

Information on patent family members

International application No PCT/EP2009/065426

Patent document cited in search report	Publication date	Patent family member(s)	Publication date
US 6161959	A	19-12-2000	NONE
EP 1939107	A	02-07-2008	AR 063033 A1 23-12-2008
			AU 2007214309 A1 17-07-2008
			BR PI0704152 A 19-08-2008
			CA 2599296 A1 27-06-2008
			CN 101209763 A 02-07-2008
			JP 2008162692 A 17-07-2008
			KR 20080061246 A 02-07-2008
			NZ 561161 A 28-08-2009
			US 2008156861 A1 03-07-2008
			ZA 200707571 A 25-06-2008
GB 313606	A	20-02-1930	NONE
US 2008054031	A1	06-03-2008	NONE
GB 425269	A	11-03-1935	NONE
US 5681113	A	28-10-1997	NONE