

(19) World Intellectual Property Organization  
International Bureau



(43) International Publication Date  
10 December 2009 (10.12.2009)

PCT

(10) International Publication Number  
WO 2009/148424 A1

- (51) International Patent Classification:  
F24C 15/12 (2006.01) F24C 15/10 (2006.01)
- (21) International Application Number:  
PCT/US2008/008628
- (22) International Filing Date:  
15 July 2008 (15.07.2008)
- (25) Filing Language: English
- (26) Publication Language: English
- (30) Priority Data:  
12/156,746 4 June 2008 (04.06.2008) US
- (71) Applicant and  
(72) Inventor: CHURCHILL, Steve P. [US/US]; 142 Trotters Drive, Phoenixville, Pennsylvania 19460 (US).
- (74) Agent: PETOCK, Michael F.; PETOCK & PETOCK, LLC, 46 The Commons at Valley Forge, 1220 Valley Forge Road, P.O. Box 856, Valley Forge, Pennsylvania 19482-0856 (US).
- (81) Designated States (unless otherwise indicated, for every kind of national protection available): AE, AG, AL, AM,

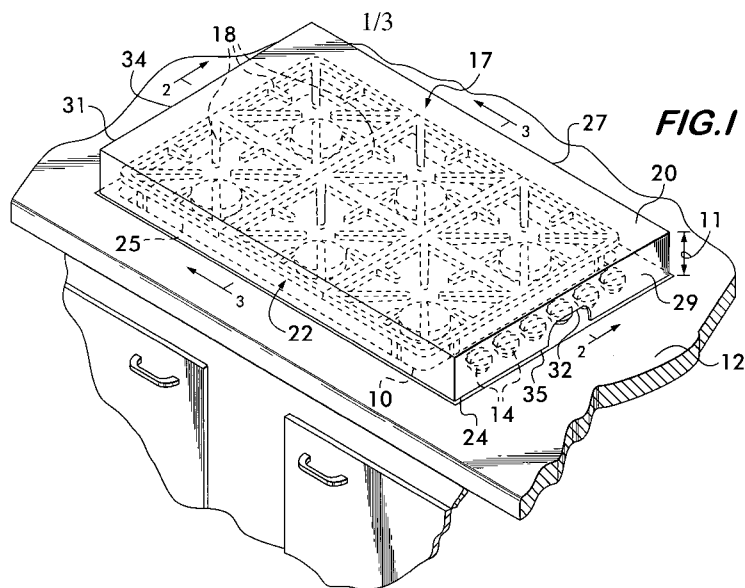
AO, AT, AU, AZ, BA, BB, BG, BH, BR, BW, BY, BZ, CA, CH, CN, CO, CR, CU, CZ, DE, DK, DM, DO, DZ, EC, EE, EG, ES, FI, GB, GD, GE, GH, GM, GT, HN, HR, HU, ID, IL, IN, IS, JP, KE, KG, KM, KN, KP, KR, KZ, LA, LC, LK, LR, LS, LT, LU, LY, MA, MD, ME, MG, MK, MN, MW, MX, MY, MZ, NA, NG, NI, NO, NZ, OM, PG, PH, PL, PT, RO, RS, RU, SC, SD, SE, SG, SK, SL, SM, ST, SV, SY, TJ, TM, TN, TR, TT, TZ, UA, UG, US, UZ, VC, VN, ZA, ZM, ZW.

(84) Designated States (unless otherwise indicated, for every kind of regional protection available): ARIPO (BW, GH, GM, KE, LS, MW, MZ, NA, SD, SL, SZ, TZ, UG, ZM, ZW), Eurasian (AM, AZ, BY, KG, KZ, MD, RU, TJ, TM), European (AT, BE, BG, CH, CY, CZ, DE, DK, EE, ES, FI, FR, GB, GR, HR, HU, IE, IS, IT, LT, LU, LV, MC, MT, NL, NO, PL, PT, RO, SE, SI, SK, TR), OAPI (BF, BJ, CF, CG, CI, CM, GA, GN, GQ, GW, ML, MR, NE, SN, TD, TG).

Published:

— with international search report (Art. 21(3))

(54) Title: COVER FOR STOVETOP MOUNTED IN COUNTER



(57) Abstract: A cover (17) for a stovetop (10), which is mounted in a counter (12), having a flat member (20) and a peripheral side member (22) depending therefrom with first and second handles (32,34) formed in the depending peripheral side member (22). The cover is made of metal, plastic or ceramic material for decorative purposes, entertaining and/or additional counter space.



WO 2009/148424 A1

**COVER FOR STOVETOP MOUNTED IN COUNTER**

**FIELD OF THE INVENTION**

5           The present invention relates to a cover for stovetops that are mounted within  
countertops. More particularly the present invention relates to a decorative cover for a  
stovetop mounted within a countertop for creation of additional counter space.

**BACKGROUND OF THE INVENTION**

10           Many stovetops are mounted in or adjacent counters. The stovetops take up  
valuable counter space and can be unattractive. The space taken by stovetops could be used  
for counter space for working and/or for entertaining.

**SUMMARY OF THE INVENTION**

15           An advantage of the present invention is that it increases counter space.

          Another advantage of the present invention is that it may be put over any stovetop and  
can be put away when not in use.

          Another advantage of the present invention is that it is decorative.

          Another advantage of the present invention is that it the cover may be coated for  
20 decorative purposes or to color match other parts of the kitchen.

          Another advantage of the present invention is that the present invention is designed  
for stovetops in counters.

          Another advantage of the present invention is that the cover provides a means of  
limiting access to knobs and other stove top controls by children and the like.

Still another advantage of the present invention is that the present invention may be easily and economically manufactured.

Briefly and basically the present invention is a stovetop mounted within a counter covered by a cover which has a flat member having a flat surface made of nonflammable material and a side member depending from a periphery of said flat member. The side member may be supported preferably on a periphery of said stovetop or alternatively on the counter around the periphery of the stovetop. The cover has at least a first and a second handle formed in the depending member in the form of two openings located in the depending member opposite each other. Together these form a decorative stovetop cover wherein an upper surface may be utilized as additional counter space. The flat member can be rectangular, square, round, irregular, polygonal, or ellipsoidal in shape.

The stovetop cover can be made of metal, heat resistant plastic or ceramic material.

A preferred embodiment is to manufacture the stovetop cover from pressed stainless steel or aluminum with a rectangular shape to cover all of the burners of the stovetop as well as the knobs and controls. The height should be sufficient to clear all burners and control knobs and other features of the stovetop and provide adequate clearance for the handles.

#### **BRIEF DESCRIPTION OF THE DRAWINGS**

For the purpose of illustrating the invention, there are shown in the drawings forms which are presently preferred; it being understood, however, that this invention is not limited to the precise arrangements and instrumentalities shown.

Figure 1 is a view, partially broken away, in perspective of a stovetop mounted within a countertop covered by the stovetop cover of the present invention.

Figure 2 is a cross sectional view, partially broken away, taken along line 2-2 of

Figure 1.

Figure 3 is a cross sectional view, partially broken away, taken along line 3-3 of

Figure 1.

Figure 4 is a view in perspective of an embodiment of the stovetop cover in which it is  
5 round in plan view.

Figure 5 is a view in perspective of an embodiment of the stovetop cover in which it is  
oval in plan view.

Figure 6 is a view in perspective of an embodiment of the stovetop cover in which it is  
polygonal in plan view.

10

#### **DETAILED DESCRIPTION OF THE PREFERRED EMBODIMENTS**

Referring now to the drawings, wherein like numerals indicate like elements, there is  
shown in Figure 1 a stovetop 10 mounted within a counter 12. The stovetop shown is gas  
operated but the invention encompasses all stovetop types including but not limited to electric  
15 , gas, glass flattop ,grills and other types. Stovetop 10 and its control knobs 14 are covered  
by rectangular stovetop cover 17 wherein all burners 18 may be covered thereby preventing  
the stovetop from inadvertent or unwanted turning on i.e. by children. The cover 17 has a flat  
member 20 having a flat surface and a side member 22 depending from a periphery of flat  
member 20. Side member 22 is supported on the outer edge 24 of the stovetop 10 around the  
20 periphery of stovetop 10. Alternatively side member 22 can be supported on counter 12  
around a periphery of stovetop 10. A preferred embodiment of the stovetop cover is made of  
a metal such as, but not limited to, stainless steel or aluminum. The stovetop cover can also  
be coated for color matching or decorative purposes. Optionally, the lower end of side  
member 22 may be provided with rubber or resilient feet (not shown) which would prevent

any possibility of scratching of the stove top surface and prevent any possible movement of the cover. Side member 22 has long sections 25 and 27 which are longer and in a preferred standard embodiment the length would be approximately 27.5 inches or to fit the shape of the stovetop. Stovetop cover 17 has sides 29 and 31 that are shorter and in a preferred standard  
5 embodiment the length would be approximately 19.5 inches, or to fit the shorter sides of the stovetop. In a preferred standard embodiment the stovetop cover has a height 11 of approximately 1.5 inches. However it is understood that other heights, lengths and widths may be used. Stovetop cover 17 also has a first and a second handle 32, 34 in the form of two openings located approximately in the middle of depending member sections 29 and 31  
10 opposite each other. These handles are formed in depending member sections 29 and 31 in approximately the center of sides 29 and 31 and at or close to the bottom edge 35. Together these form a decorative stovetop cover wherein an upper flat surface may be utilized as additional counter space. The flat member may be rectangular as in the currently shown embodiment or may also be square, round as shown in Figure 4, polygonal as shown in  
15 Figure 6 or ellipsoidal as shown in Figure 5 or irregular in shape.

In Figure 4 the stovetop cover's flat member 37 is round and its handles 70 and 71 are across from each other.

In Figure 5 the stovetop cover's flat member 38 is ellipsoidal and the handles 74 and 75 are across from each other.

20 In Figure 6 the stovetop cover's flat member 41 is octagonal with a depending side 42. Depending side 42 has two long sides 47 and 49 and two short sides 43 and 45 that are perpendicular to the long sides. Depending side 42 also has four sides 50, 51, 52, 53 positioned at approximately 45 degree angles to each section aforementioned. This is just one polygon embodiment and it is known that any polygon or shape may be acceptable for

the flat section. The handles 54 and 55 are positioned near the center of depending sides 47 and 49, respectively, but as in all embodiments could be placed on other depending sides and places on these sides if deemed more suitable. Also in all embodiments the handles may be a hole completely surrounded by material of the stovetop cover or a cutout as shown in the

5 figures. There may also be more than two handles on any embodiment.

The present invention may be embodied in other specific forms without departing from the spirit or essential attributes thereof and, accordingly, reference should be made to the appended claims, rather than to the foregoing specification as indicating the scope of the invention.

10

**CLAIMS**

I claim:

1. An apparatus, comprising:
  - 5 a stovetop mounted within a counter;
  - a flat member having a flat surface made of nonflammable material;
  - a side member depending from a periphery of said flat member made of a nonflammable material;
  - said side member being supported on a surface around the periphery of said stovetop;
  - 10 a first and a second handle formed in said depending member in the form of two openings located in said depending member opposite each other;
  - wherein said flat surface of said flat member and said depending side member form a decorative stovetop cover; and
  - wherein an upper surface of said flat member may be utilized as additional counter
  - 15 space.
2. An apparatus in accordance with Claim 1 wherein said flat member is rectangular in shape.
3. An apparatus in accordance with Claim 2 wherein said flat member is square in shape.
- 20 4. An apparatus in accordance with Claim 1 wherein said flat member is round in shape.
5. An apparatus in accordance with Claim 1 wherein said flat member is irregular in shape.

6. An apparatus in accordance with Claim 1 wherein said flat member is polygonal in shape.

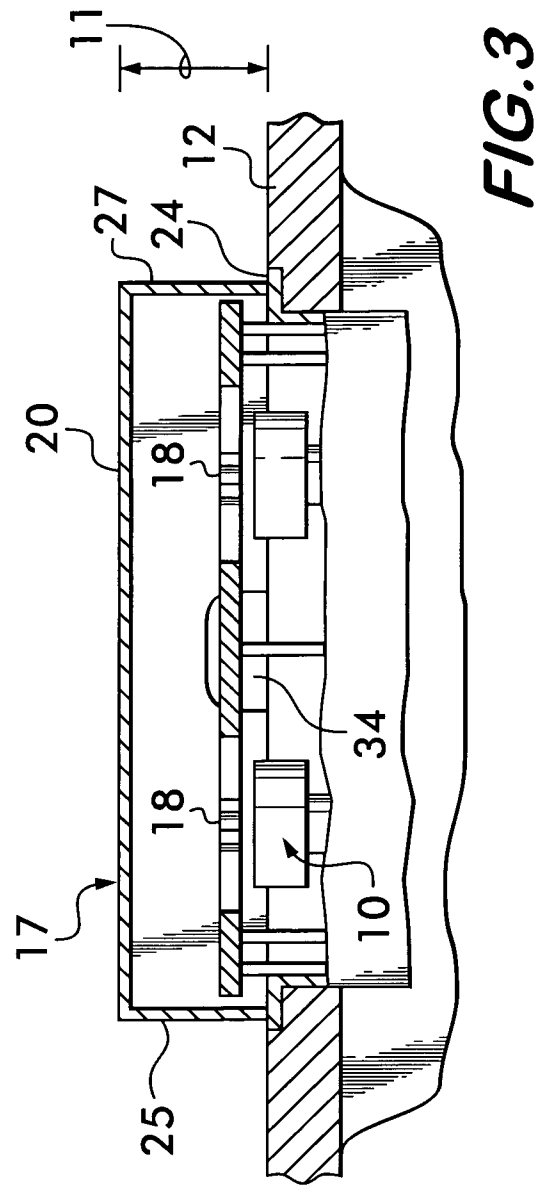
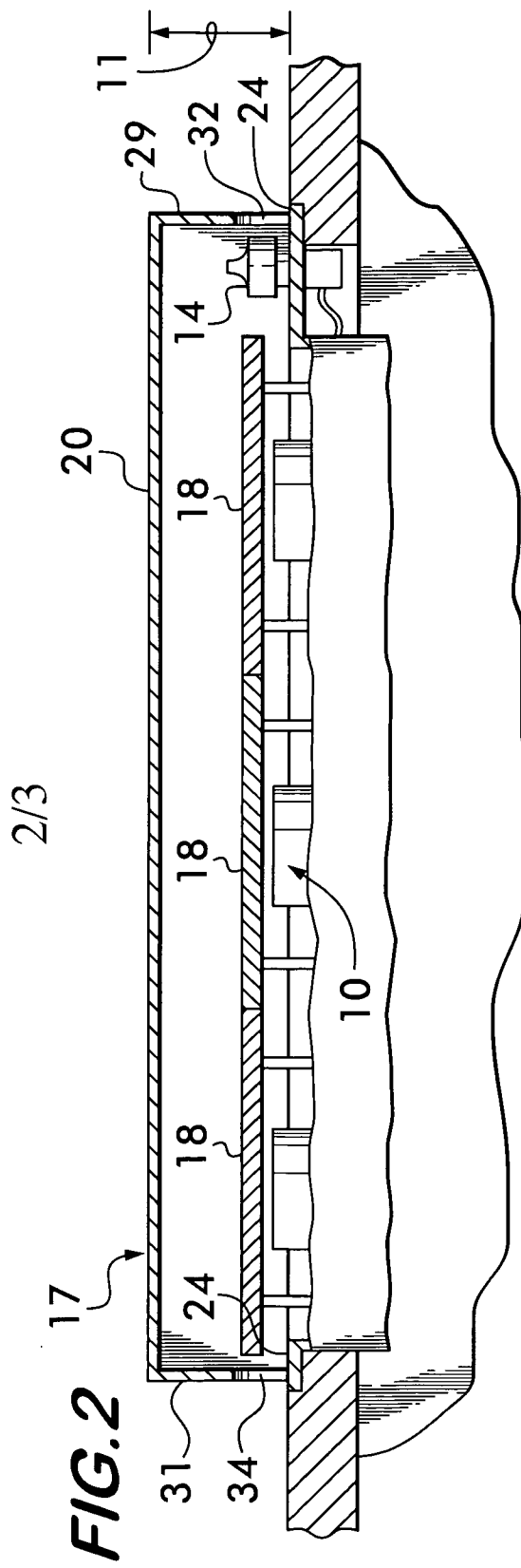
7. An apparatus in accordance with Claim 1 wherein said flat member is ellipsoidal in shape.

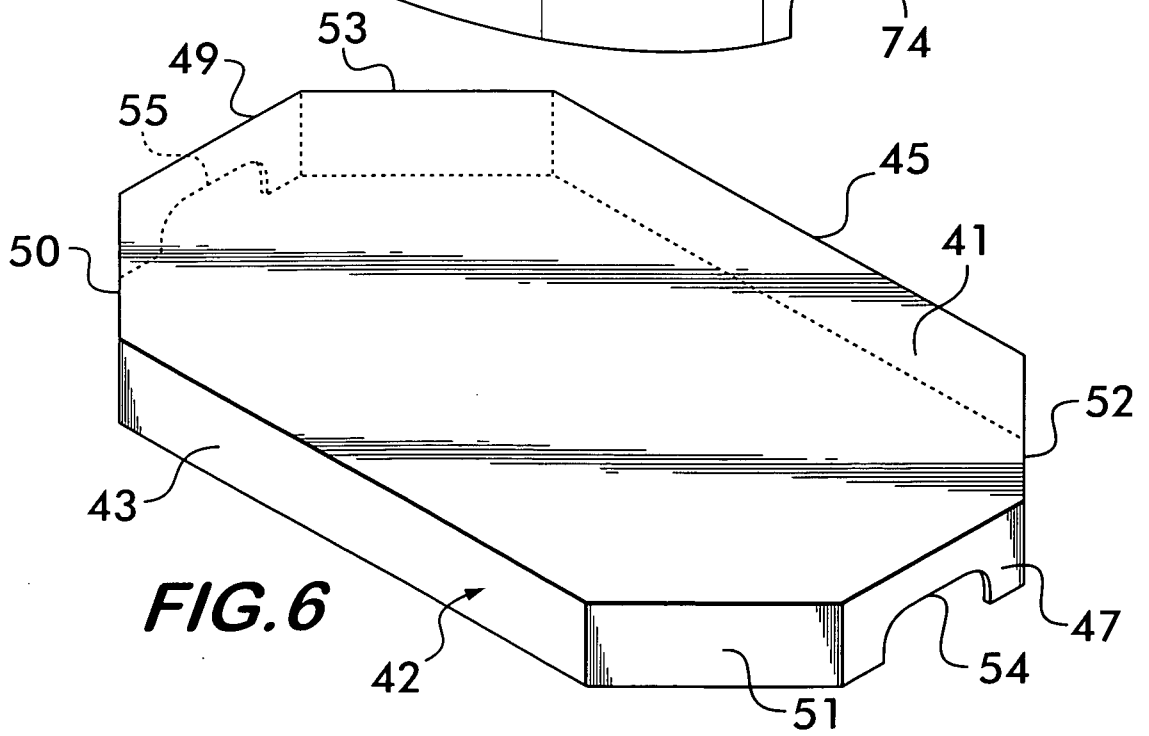
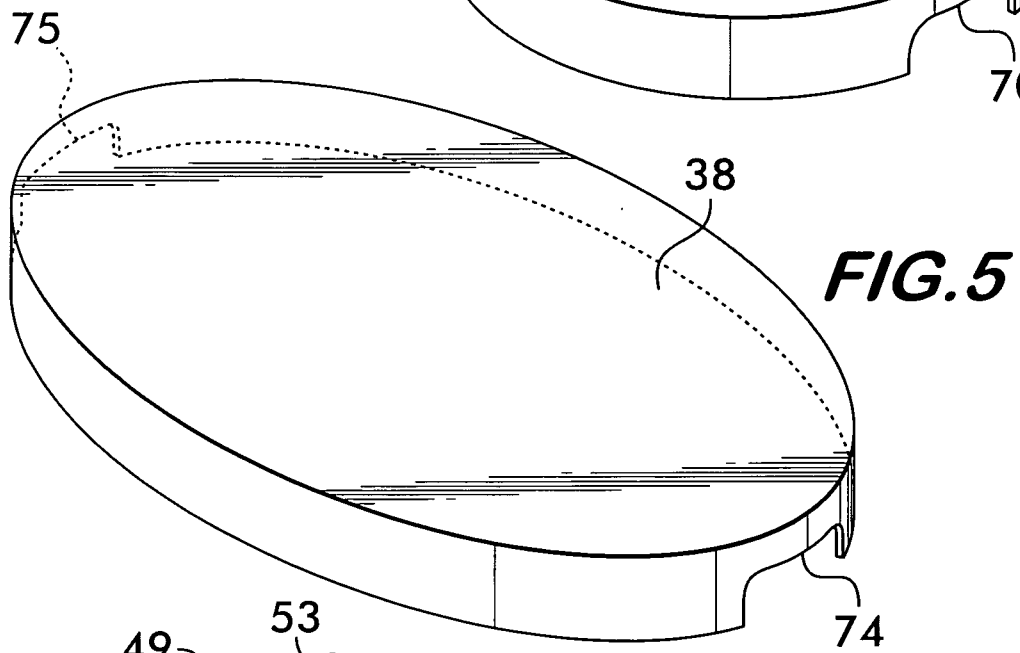
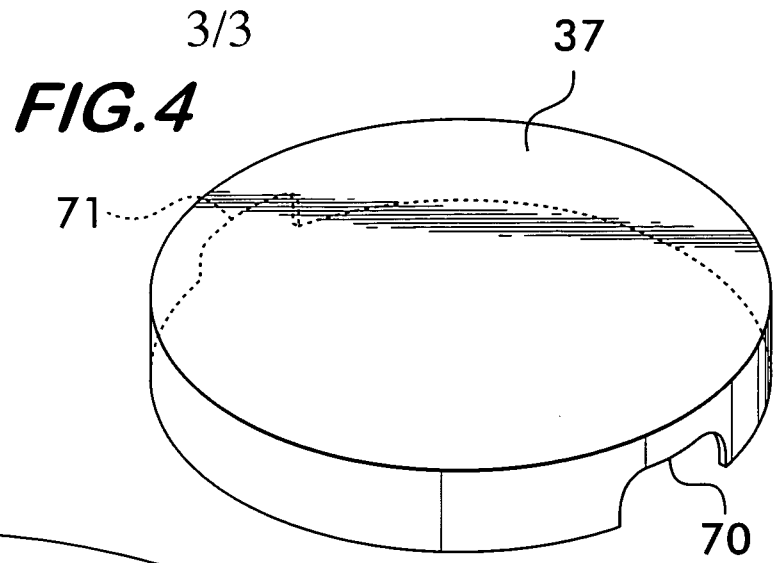
5 8. An apparatus in accordance with Claim 1 wherein said stovetop cover is made of metal.

9. An apparatus in accordance with Claim 1 wherein said stovetop cover is made of heat resistant plastic.

10 10. An apparatus in accordance with Claim 1 wherein the stovetop cover is made of ceramic material.







**A. CLASSIFICATION OF SUBJECT MATTER***F24C 15/12(2006.01)i, F24C 15/10(2006.01)i*

According to International Patent Classification (IPC) or to both national classification and IPC

**B. FIELDS SEARCHED**

Minimum documentation searched (classification system followed by classification symbols)

IPC : F24C

Documentation searched other than minimum documentation to the extent that such documents are included in the fields searched

Korean Utility models and applications for Utility models since 1975

Japanese Utility models and applications for Utility models since 1975

Electronic data base consulted during the international search (name of data base and, where practicable, search terms used)

eKIPASS(KIPO internal) &amp; Keywords: "stovetop", "flat", "cover"

**C. DOCUMENTS CONSIDERED TO BE RELEVANT**

Category*	Citation of document, with indication, where appropriate, of the relevant passages	Relevant to claim No.
A	US 5,115,797 A (HURNER; WES D.) 26 May 1992 See Figures 1-5 and Claim 1.	1-10
A	JP 15-247725 A (HITACHI HOMETEC LTD) 5 September 2003 See Figure 1 and Claim 1.	1-10
A	KR 10-2005-0086844 A (LG ELECTRONICS INC.) 30 August 2005 See Figures 1-3 and Claim 1.	1-10

 Further documents are listed in the continuation of Box C. See patent family annex.

\* Special categories of cited documents:

"A" document defining the general state of the art which is not considered to be of particular relevance

"E" earlier application or patent but published on or after the international filing date

"L" document which may throw doubts on priority claim(s) or which is cited to establish the publication date of citation or other special reason (as specified)

"O" document referring to an oral disclosure, use, exhibition or other means

"P" document published prior to the international filing date but later than the priority date claimed

"T" later document published after the international filing date or priority date and not in conflict with the application but cited to understand the principle or theory underlying the invention

"X" document of particular relevance; the claimed invention cannot be considered novel or cannot be considered to involve an inventive step when the document is taken alone

"Y" document of particular relevance; the claimed invention cannot be considered to involve an inventive step when the document is combined with one or more other such documents, such combination being obvious to a person skilled in the art

"&amp;" document member of the same patent family


Date of the actual completion of the international search

11 FEBRUARY 2009 (11.02.2009)

Date of mailing of the international search report

**11 FEBRUARY 2009 (11.02.2009)**

Name and mailing address of the ISA/KR


 Korean Intellectual Property Office  
 Government Complex-Daejeon, 139 Seonsa-ro, Seo-  
 gu, Daejeon 302-701, Republic of Korea

Facsimile No. 82-42-472-7140

Authorized officer

CHOI, Il Seung

Telephone No. 82-42-481-5476



**INTERNATIONAL SEARCH REPORT**

Information on patent family members

International application No.

**PCT/US2008/008628**

Patent document cited in search report	Publication date	Patent family member(s)	Publication date
US 5,115,797 A	26.05.1992	None	
JP 15-247725 A	05.09.2003	JP 3870394 B2	17.01.2007
KR 10-2005-0086844 A	30.08.2005	AU 2002-368420 A1 CN 1720415 A DE 60217737 D1 US 2006-0048767 A1	23.06.2004 11.01.2006 08.03.2007 09.03.2006